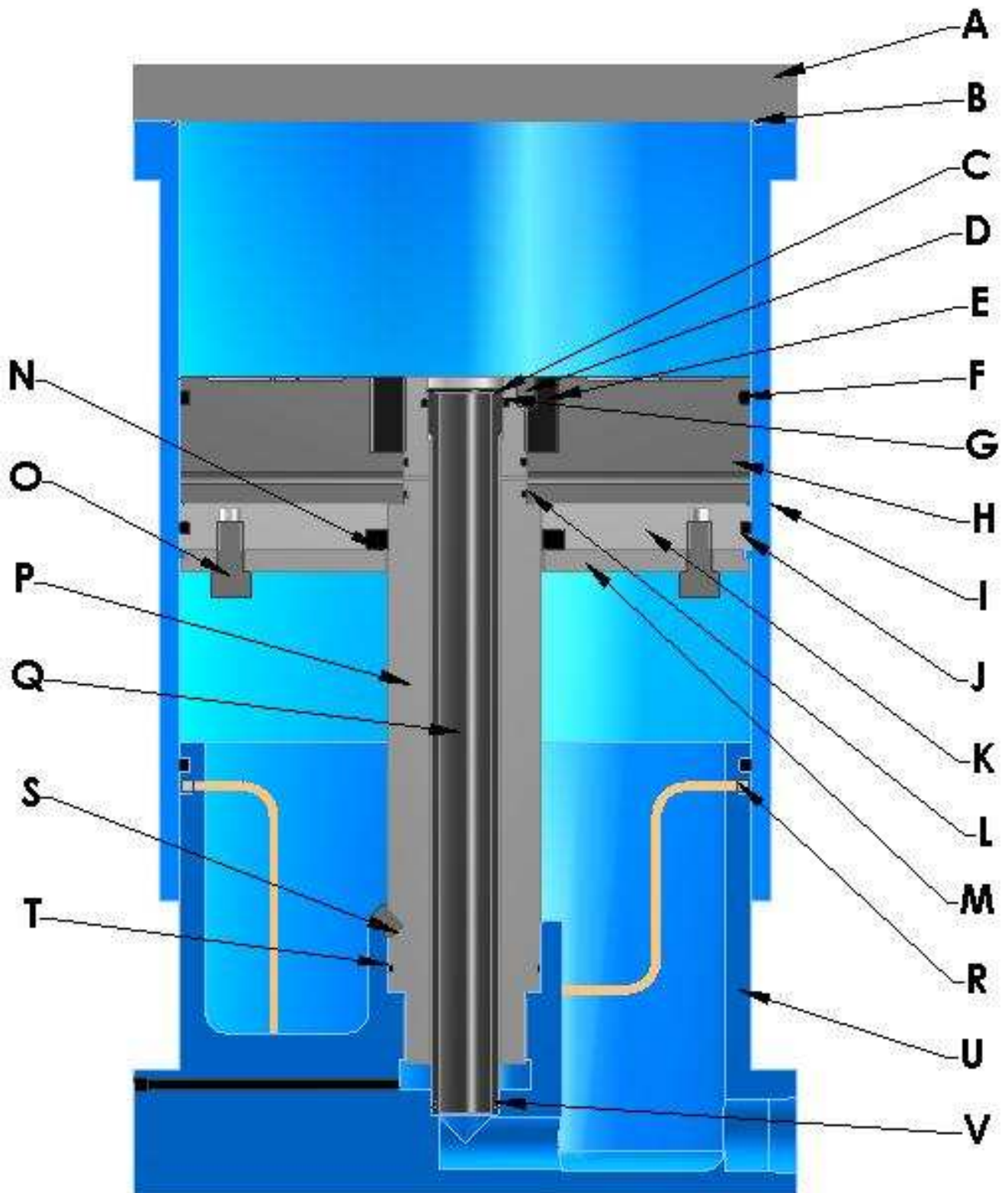


Model MC Parts List

IMPORTANT: When ordering repair parts, be sure to indicate cushion model and size, serial number and part number on purchase order to avoid errors.



Model MC Parts List

DESCRIPTION		CYLINDER DIAMETER AND PART NUMBER								
		8"	10"	12"	14"	16"	18"	20"	22"	24"
PBM Pin Pad	A	418	418	418	418	418				
BPM Pin Pad		8982	7550	8788	8797	8969				
"O" Ring	B	8987	10737	7884	8972	10110				
Retaining Ring	C	6074	6074	6074	10873	10873	10873			
Soc. Hd. Set Screw	D	6223	6223	6223	3018	3018	3018	3018	3018	3018
Piston Nut	E				10785	10785	10785	11734	11734	11734
Quad Ring	F	8335	8700	10109	9878	10110	10687	10688	10689	10690
"O" Ring	G	10412	10412	10412	6490	6490	6490			
Upper Piston	H	8983	7685	8789	8793	8970	11617	11739	11723	11754
Cylinder Weldment	I	8981	7549	7687	8798	8968				
"O" Ring	J	6153	6157	6158	10086	6159				
Cylinder Separator Plate	K	8984	7748	8790	8795	8971				
"O" Ring	L	6161	6161	6161	6162	6162	6162	6068	6068	6068
Lock Plate	M	8985	7686	8791	8796	8974	11618	11735	11735	11735
"U" Packing	N	7882	7882	7882	8973	8973	8973	11737	11737	11737
Soc. Hd. Cap Screw	O	7879	11455	11455	11456	11456	11455	11455	6394	6394
Piston Rod	P	7511	7511	7511	8794	8978	11620	11728	11728	11728
Lubrication Tube	Q	7677	7677	7677	8799	8799	11619			
Lubrication Set	R	1134	1134	1134	1134	1134	1134	1134	1134	1134
Soc. Hd. Set Screw	S	2002	2002	2002	6223	6223	7498			
"O" Ring	T	6161	6161	6161	7419	7419	7419	3639	3639	3639
Lower Piston	U	8986	7304	7693	8792	8977	11611	11738	11729	11750
"O" Ring	V	8892	8892	8892	9345	9345	9345			

(a) When ordering cylinders and cushion pistons, order according to cushion model and serial number (Serial Number is located at the front, lower flange of the cushion unit)